

TOMORROW'S  
MANUFACTURING  
LEADERSHIP  
TODAY

# Technical Bulletin

Bulletin Number: 484 Revision Number: R-02  
Release Date: Feb. 11, 1994 Revision Date: June 6, 1995

**SUBJECT:** ECM VEND MOTOR/VEND MOTOR COVER BUMPER KIT

**MODELS AFFECTED:** All Dixie-Narco venders.

**SERIAL BREAK:** Venders prior to 0001-6161AS

**REASON:** To provide a spacer that can be attached to the narrow column vend motor to prevent the motor cover from rubbing the motor shaft.

**ORDER:** 432,016,300.04 ECM / vend motor cover bumper kit

**Kit Contents:**

- |                    |                 |
|--------------------|-----------------|
| 1 - 901,800,330.61 | Flanged bushing |
| 1 - 900,800,490.01 | Keps nut, #6-32 |
| 1 - 900,300,340.01 | Screw, #6-32    |
| 1 - 900,700,020.01 | Washer          |

**TO INSTALL KIT:**

1. The kit is to be used on ECM narrow column vend motors only.

Note: They will have a white paper sticker on the motor coils which says ECM, or ECM will be embossed in the front of the motor housing.

2. Place one kit per motor on the following columns, depending on the number of columns:
  - A. 10 column venders - install on columns 2, 4, 6, and 8.
  - B. 8 column venders - install on columns 5 and 7.
  - C. 6 column venders - install on columns 4 and 6.
  - D. T-model venders - install on columns 4, 6, and 8.

3. Locate the hole which goes through the motor coils. See "A", figure 1.
4. Place the screw in the bushing, then the washer so the washer will be between the motor coil and the bushing. Note the position of the bushing. (See figure 2.)
5. Place the screw through the hole ("A", figure 1), and secure with keps nut. (See figure 2.)

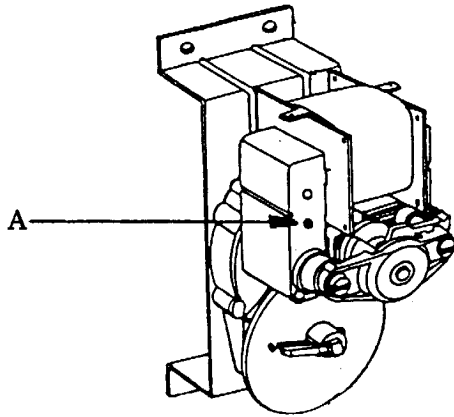


Figure 1

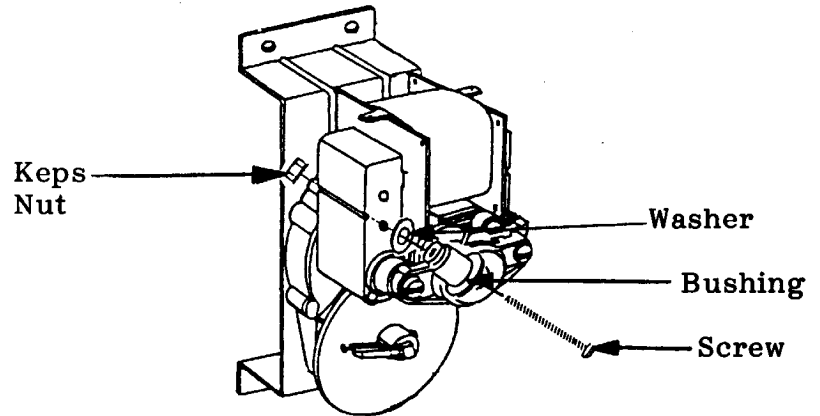


Figure 2